



# GelPort

Submersible Secondary Connectors for URD Distribution (1000V)

## Energy Division



Expanded range up to 500 MCM



Hybrid 350/500 MCM

### Demand the best

- Corrosion resistance
- No loose parts due to one piece housing
- Gel-filled cable entry ports provide a reliable cable seal
- PowerGel sealing gel seals out harsh environments
- Rugged, impact-resistant housing stands up to rough installations
- Clear view back allows for easy positive visual indication of wire position in connector

### Fast, reliable installation - every time

The GelPort connection system represents a revolutionary product for secondary connectors. Strip the cable and push it into the gel-filled cable port. The cable is encapsulated in gel and instantly sealed. It's that simple.

### PowerGel sealing gel

PowerGel sealing gel was specifically developed for the electrical power industry. It consists of a chemically cross-linked silicone elastomer with silicone oil. PowerGel sealing gel is hydrophobic and provides an excellent moisture seal over a wide operating temperature range (-40° C to 95° C). It is compatible with solid dielectric cable insulation and connector deoxidizing greases and has excellent insulation properties.



Our commitment. Your advantage.

**SKY COMMERCIAL CO.,LTD.**

Branch : Charansanitwong 66/1 Banglad

Tel : +66 (0) 2879 0240 # 601-604 Mobile : 086-325-7116

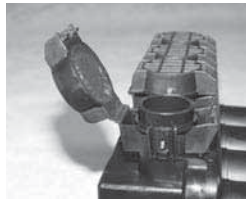
Fax : +66(0) 2879 0241

Catalog number	Clear view	Number of wire ports	Conductor use range (mm <sup>2</sup> )	Length inches (mm)	Width inches (mm)	Height inches (mm)
GPRT-350-3P	-C	3	14 - 350 (2 - 150)	4.60 (117)	3.825 (97)	3.50 (89)
GPRT-350-4P	-C	4	14 - 350 (2 - 150)	5.85 (149)	3.825 (97)	3.50 (89)
GPRT-350-5P	-C	5	14 - 350 (2 - 150)	7.10 (180)	3.825 (97)	3.50 (89)
GPRT-350-6P	-C	6	14 - 350 (2 - 150)	8.35 (212)	3.825 (97)	3.50 (89)
GPRT-350-8P	-C	8	14 - 350 (2 - 150)	10.85 (276)	3.825 (97)	3.50 (89)
GPRT-500-3P	-C	3	6 - 500 (16 - 250)	4.60 (117)	3.825 (97)	3.50 (89)
GPRT-500-4P	-C	4	6 - 500 (16 - 250)	5.85 (149)	3.825 (97)	3.50 (89)
GPRT-500-5P	-C	5	6 - 500 (16 - 250)	7.10 (180)	3.825 (97)	3.50 (89)
GPRT-500-6P	-C	6	6 - 500 (16 - 250)	8.35 (212)	3.825 (97)	3.50 (89)
GPRT-500-8P	-C	8	6 - 500 (16 - 250)	10.85 (276)	3.825 (97)	3.50 (89)
GPRT-350/4P-500/1P	-C	5 Hybrid		7.10 (180)	3.825 (97)	3.50 (89)
		4	14 - 350 (2 - 150)			
		1	6 - 500 (16 - 250)			
GPRT-350/6P-500/2P	-C	8 Hybrid		10.85 (276)	3.825 (97)	3.50 (89)
		6	14 - 350 (2 - 150)			
		2	6 - 500 (16 - 250)			

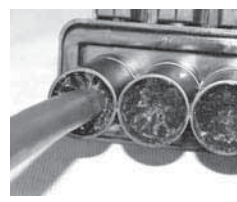
Note: For clear view back, add "-C" to catalog number



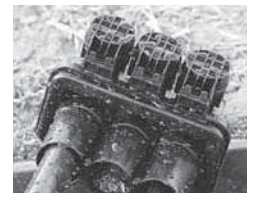
Clear back



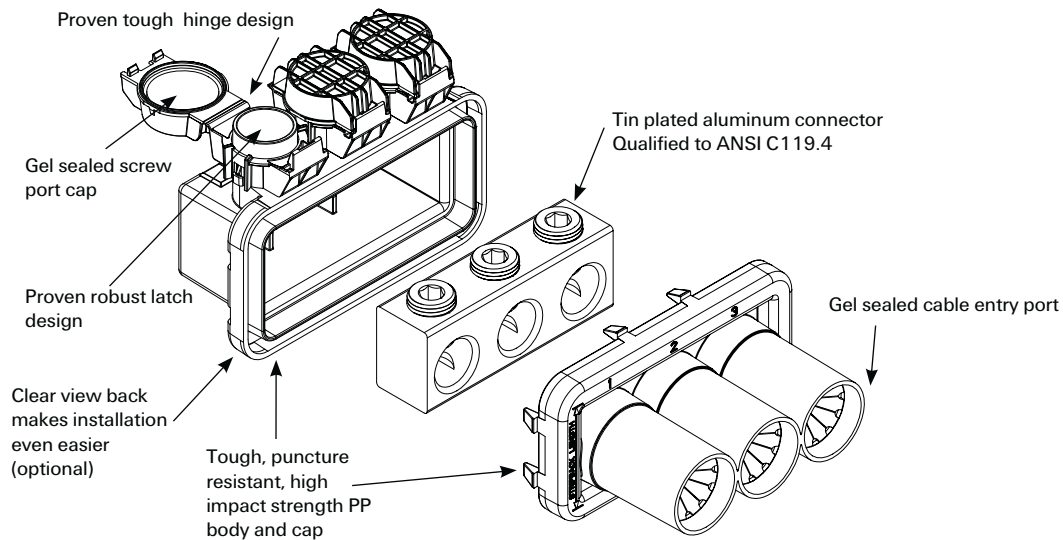
Hinged cap



Gel-filled ports



Submersible performance



**SKY COMMERCIAL CO.,LTD.**

Branch : Charansanitwong 66/1 Bangplad

Tel : +66 (0) 2879 0240 # 601-604 Mobile : 086-325-7116

Fax : +66(0) 2879 0241

Raychem

Dulmison



AMP

SIMEL



B&H

AXICOM



DORMAN  
SMITH

MORLYNN  
INSULATORS

"Hey Joe, check out  
these ports!"



## Introducing Gel-Filled Gelport

Submersible secondary connectors that raise the bar for an easy hook-up. No boots to trim, no loose parts to scatter, and no corrosion. The gel-filled ports and covers deliver lasting performance even under water.

For a free sample kit or current catalog visit our website.

**tyco**  
Electronics

**Energy Division**

800-327-6996

[energy.tycoelectronics.com/TD](http://energy.tycoelectronics.com/TD)

SKY COMMERCIAL CO., LTD.

Branch - Chonmaeultrung Rd, Bangkok  
Tel: +662 272 2222, 2722 2222, 2722 2222  
Fax: +662 272 2222