



## TE'S RAYCHEM SCREENED T-CONNECTORS RSTI-58

FOR INTERFACE C, RATED UP TO 800A/24 kV

### KEY FEATURES

- Screened connector does not need to be removed for over sheath testing
- Wide application range covers cable cross sections from 25 mm<sup>2</sup> to 300 mm<sup>2</sup>
- Easy access rear plug with capacitive test point
- Insulation made of highly modified silicone rubber
- Compact design supports use of double "T" connections inside standard terminal boxes
- Unlimited shelf-life

TE Connectivity's (TE) Raychem Screened separable T-connectors RSTI-58 are designed to connect single and three-core polymeric cables to medium voltage gas insulated switchgear and other equipment using bushings type "C" (EN50180/EN50181) specified for 630/1250A up to 24 kV.

Made of a highly modified silicone rubber and protected by a thin-walled, grounded outer conductive screen, TE's Raychem RSTI-58 connectors are equally suited for indoor and outdoor installation. Supporting a wide application range, the design incorporates one body and stress cone adapters to cover any cross-sections from 25 mm<sup>2</sup> to 300 mm<sup>2</sup>. The overall cut-back dimensions are designed to take up minimum space in the terminal box.

TE's Raychem RSTI-58 connectors are equipped with a capacitive test point for determining whether the circuit is energized. This test point is protected by a conductive cap. After cable preparation and lubrication, the stress control adapter is simply slid into place, followed by the screened connector body. These two components can be installed under virtually any conditions. A separable mounting system ensures easy installation of the connector onto the bushing.

Our kits include high-performance multi-range mechanical or DIN compression lugs matching the design of the RSTI-58 connectors.

**Customers can count on consistent, high quality products, driven by TE's proven innovation and backed by our extraordinary customer support.**

## TE's Raychem Screened T-Connectors RSTI-58



The RSTI-58 screened cable connectors meet CENELEC HD 629.1 S2 requirements, which includes BS, VDE and other international specifications.

TECHNICAL DATA	
Cable insulation diameter range	12.7 mm - 34.6 mm
Connector cross section range	25 mm <sup>2</sup> - 300 mm <sup>2</sup>
Maximum system voltage	24 kV
Continuous current rating	800A
Basic impulse level	150 kV
Partial discharge at 2 U <sub>0</sub>	< 2 pC
AC voltage withstand, 1 min.	57 kV
DC voltage withstand, 15 min.	76 kV
Thermal short circuit, 1 s	54 kA
Dynamic short circuit	125 kA

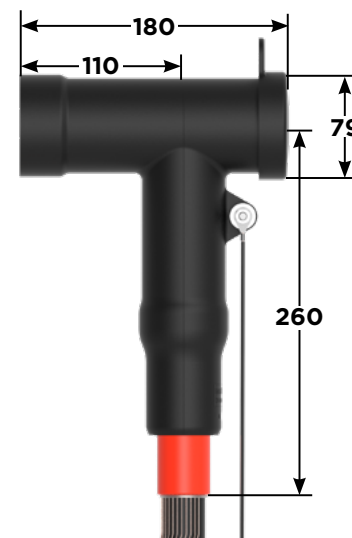
PRODUCT SELECTION INFORMATION				
Description		Diameter Core Insulation (mm)		Cross Section (mm <sup>2</sup> )
Aluminum	Copper	min	max	
<b>with DIN compression lugs 12 kV</b>				
RSTI-5810	RSTI-5830	12.7	23.4	25
RSTI-5811	RSTI-5831	12.7	23.4	35
RSTI-5812	RSTI-5832	12.7	23.4	50
RSTI-5813	RSTI-5833	12.7	23.4	70
RSTI-5814	RSTI-5834	12.7	23.4	95
RSTI-5815	RSTI-5835	12.7	23.4	120
RSTI-5826	RSTI-5846	21.2	34.6	150
RSTI-5827	RSTI-5847	21.2	34.6	185
RSTI-5828	RSTI-5848	21.2	34.6	240
RSTI-5829	RSTI-5849	21.2	34.6	300
<b>with DIN compression lugs 24 kV</b>				
RSTI-5810	RSTI-5830	12.7	23.4	25
RSTI-5811	RSTI-5831	12.7	23.4	35
RSTI-5812	RSTI-5832	12.7	23.4	50
RSTI-5813	RSTI-5833	12.7	23.4	70
RSTI-5824	RSTI-5844	21.2	34.6	95
RSTI-5825	RSTI-5845	21.2	34.6	120
RSTI-5826	RSTI-5846	21.2	34.6	150
RSTI-5827	RSTI-5847	21.2	34.6	185
RSTI-5828	RSTI-5848	21.2	34.6	240
RSTI-5829	RSTI-5849	21.2	34.6	300
<b>with mechanical lugs and shear bolts 12 kV</b>				
RSTI-5851 (Al or Cu)		12.7	23.4	35 - 95
RSTI-5852 (Al or Cu)		12.7	23.4	95 - 120
RSTI-5853 (Al or Cu)		17.0	30.1	95 - 240
RSTI-5854 (Al or Cu)		21.2	34.6	150 - 240
RSTI-5855 (Al or Cu)		21.2	34.6	185 - 300
RSTI-5856 (Al or Cu)		21.2	34.6	240 - 400
<b>with mechanical lugs and shear bolts 24 kV</b>				
RSTI-5851 (Al or Cu)		12.7	23.4	25 - 70
RSTI-5853 (Al or Cu)		17.0	30.1	95 - 185
RSTI-5854 (Al or Cu)		21.2	34.6	95 - 240
RSTI-5855 (Al or Cu)		21.2	34.6	185 - 300

Kits including deep indent lugs are on request

[te.com/energy](http://te.com/energy)

©2018 TE Connectivity Ltd. All Rights Reserved. EPP-1475-10/18-EN

Raychem, TE Connectivity and TE Connectivity (logo) are trademarks. Other logos, product and/or company names might be trademarks of their respective owners. While TE has made every reasonable effort to ensure the accuracy of the information in this brochure, TE does not guarantee that it is error-free, nor does TE make any other representation, warranty or guarantee that the information is accurate, correct, reliable or current. TE reserves the right to make any adjustments to the information contained herein at any time without notice. TE expressly disclaims all implied warranties regarding the information contained herein, including, but not limited to, any implied warranties of merchantability or fitness for a particular purpose. The dimensions in this catalog are for reference purposes only and are subject to change without notice. Specifications are subject to change without notice. Consult TE for the latest dimensions and design specifications.



### FOR MORE INFORMATION: TE Technical Support Centers

USA:	+ 1 800 327 6996
Canada:	+ 1 (905) 475-6222
Mexico:	+ 52 (0) 55-1106-0800
Latin/S. America:	+ 54 (0) 11-4733-2200
France:	+ 33 380 583 200
UK:	+ 44 0870 870 7500
Germany:	+ 49 896 089 903
Spain:	+ 34 916 630 400
Italy:	+ 39 333 250 0915
Benelux:	+ 32 16 508 695
Russia:	+ 7 495-790 790 2-200
China:	+ 86 (0) 400-820-6015