

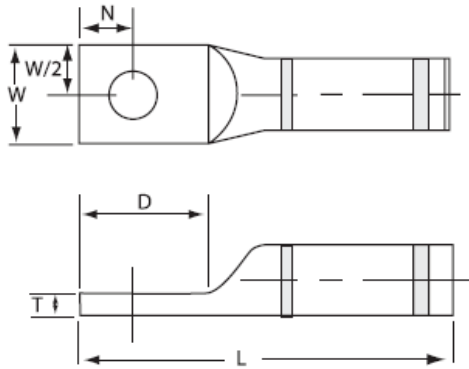
Copper compression terminals up to 35 kV



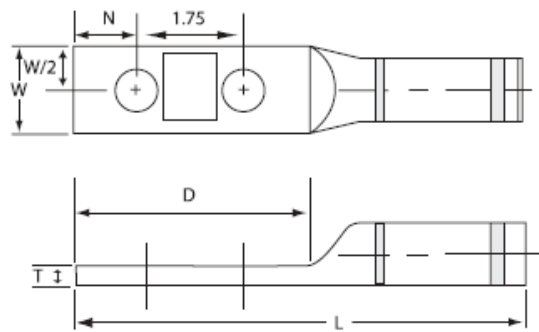
- เป็นหางปลาชนิด Long Barrel
- ใช้งานในระดับแรงดันไม่เกิน 36 kV
- ผลิตภัณฑ์ได้รับการรับรองจากมาตรฐาน UL486A and CSA C22.2 No. 65-95
- หางปลาขนาด 2 รู ระยะห่างระหว่างรู เป็น NEMA Type



One Hole Long Barrel



Two Hole NEMA Long Barrel



List Part Number

Part Number	Hole	Conductor Size		Stud Size (inch)	Dimensions (inch)					Color Code
					L	W	T	D	N	
1099899-1	1	16 SQ.MM.	6 STR	1/4	1.9	0.45	0.08	0.56	0.34	blue
1099899-2	1	25 SQ.MM.	4 STR	1/4	1.9	0.50	0.09	0.56	0.38	gray
1099899-4	1	35 SQ.MM.	2 STR	5/16	2.3	0.60	0.11	0.75	0.38	brown
1099899-7	1	50 SQ.MM.	1/0 STR	1/2	2.7	0.75	0.11	1.08	0.53	pink
1099899-8	1	70 SQ.MM.	2/0 STR	3/8	2.7	0.82	0.12	0.88	0.44	black
1099899-9	1	95 SQ.MM.	3/0 STR	1/2	2.9	0.91	0.13	1.08	0.53	orange
1-1099899-0	1	120 SQ.MM.	4/0 STR	1/2	3.0	1	0.14	1.08	0.53	purple
1-1099899-2	1	150 SQ.MM.	300 MCM	1/2	3.6	1.19	0.16	1.12	0.56	white
1-1099899-3	1	185 SQ.MM.	350 MCM	1/2	3.7	1.28	0.18	1.12	0.56	red
1-1099899-6	1	240 SQ.MM.	500 MCM	1/2	4.2	1.54	0.23	1.30	0.65	brown
1-1099899-7	1	300 SQ.MM.	600 MCM	5/8	5.2	1.69	0.27	1.75	0.88	green
1-1099899-8	1	400 SQ.MM.	750 MCM	5/8	5.4	1.89	0.27	1.94	0.88	black

Part Number	Hole	Conductor Size		Stud Size (inch)	Dimensions (inch)					Color Code
					L	W	T	D	N	
1099939-3	2	35 SQ.MM.	2 STR	1/2	4.5	0.82	0.11	3.00	0.62	brown
1099939-5	2	50 SQ.MM.	1/0 STR	1/2	4.7	0.75	0.12	3.00	0.62	pink
1099939-6	2	70 SQ.MM.	2/0 STR	1/2	4.8	0.82	0.12	3.00	0.62	black
1099939-7	2	95 SQ.MM.	3/0 STR	1/2	4.8	0.9	0.12	3.00	0.62	orange
1099939-8	2	120 SQ.MM.	4/0 STR	1/2	5.0	1	0.14	3.00	0.62	purple
1-1099939-0	2	150 SQ.MM.	300 MCM	1/2	5.4	1.18	0.16	3.00	0.62	white
1-1099939-1	2	185 SQ.MM.	350 MCM	1/2	5.4	1.27	0.18	3.00	0.62	red
1-1099939-2	2	240 SQ.MM.	500 MCM	1/2	5.7	1.53	0.23	3.00	0.62	brown
1-1099939-3	2	300 SQ.MM.	600 MCM	1/2	6.2	1.71	0.27	3.00	0.62	green
1-1099939-4	2	400 SQ.MM.	750 MCM	1/2	6.5	1.89	0.27	3.00	0.62	black



UTILUX COPPER COMPRESSION TERMINALS

CRIMP CONNECTORS, SEAMLESS CONSTRUCTION, EASY TO INSTALL

KEY FEATURES

- Uses industry-standard tooling for simple installation
- Industry-standard color coding system simplifies die selection
- Chamfered connector end allows cable to be inserted easily
- Closed barrel transition design for protection from moisture and contaminants
- Tin-plated for corrosion resistance and durability, and tempered for easy crimping

TE Connectivity's (TE) copper compression terminals are ideally suited for secondary power distribution in buildings, power plants, electrical equipment, and industrial applications. These terminals are one-piece, seamless construction from electrolytic tough pitch (ETP) copper for superior electrical performance and mechanical operation.

Connectors can be used on applications up to 35 kV, and meet the requirements of UL486A and CSA C22.2 No. 65-95 when applied with approved die sets. (See Instruction Sheet #408-8869 for approved listing of die sets).

Copper compression terminals are available to accommodate a range of cable sizes from 6 AWG through 1,000 MCM and are designed for terminating compact, compressed, or concentric stranded copper conductors. These terminals are offered in one-hole terminals from 6 AWG through 1,000 MCM with either a standard or long barrel. A two-hole NEMA terminal with a long barrel is also available for 4 AWG through 1,000 MCM.

Compression crimping forms the terminal barrel and conductor into a strong, almost homogeneous unit, producing excellent conductivity, low temperature rise, and outstanding resistance to oxidation and corrosion.

Customers can count on consistent, high quality products, driven by TE's proven innovation and backed by our extraordinary customer support.

ENERGY /// UTILUX COPPER COMPRESSION TERMINALS



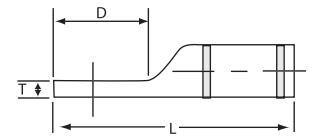
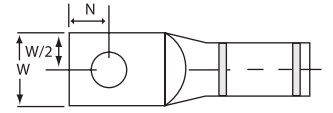
Raychem
from TE Connectivity
Authority Distributor By:
SKY COMMERCIAL CO., LTD.
sirijun.k@skycommercial.co.th

SKY COMMERCIAL CO.,LTD.
Contacts : Khun Sirijun (Nuy) Mobile : 086-325-7116
Email : sirijun.boss@gmail.com , Email : sirijun.k@skycommercial.co.th

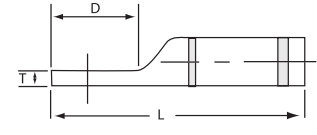
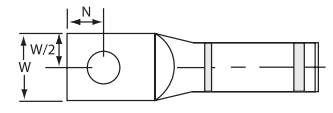
Utilux Copper Compression Terminals



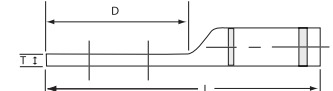
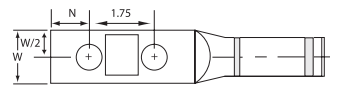
PRODUCT SELECTION INFORMATION: DIMENSIONS IN INCHES									
Description	Part Number	Conductor Size	Stud Size	L	W	T	D	N	Color code
One Hole, Short Barrel									
1099898-1	A35442-000	6 STR.	1/4	1.5	0.45	0.08	0.56	0.27	Blue
1099898-2	868620-000	4 STR.	1/4	1.5	0.50	0.09	0.56	0.27	Gray
1099898-3	C61291-000	3 STR.	5/16	1.6	0.57	0.09	0.70	0.34	White
1099898-4	F81493-000	2 STR.	5/16	1.6	0.61	0.11	0.70	0.34	Brown
1099898-5	C81635-000	1 STR.	1/4	1.6	0.68	0.10	0.56	0.27	Green
1099898-6	D62259-000	1/0 STR.	5/16	1.7	0.74	0.12	0.70	0.34	Pink
1099898-7	A47832-000	1/0 STR.	1/2	2.1	0.88	0.09	1.08	0.53	Pink
1099898-8	C92458-000	2/0 STR.	3/8	1.9	0.83	0.12	0.83	0.41	Black
1099898-9	F97091-000	3/0 STR.	1/2	2.2	0.91	0.13	1.08	0.53	Orange
1-1099898-0	508626-000	4/0 STR.	1/2	2.2	1.02	0.14	1.08	0.53	Purple
1-1099898-1	E17346-000	250 MCM	1/2	2.4	1.11	0.16	1.08	0.53	Yellow
1-1099898-2	D70967-000	350 MCM	1/2	2.5	1.27	0.18	1.08	0.53	Red
1-1099898-3	C72517-000	500 MCM	1/2	3.2	1.54	0.23	1.30	0.65	Brown
1-1099898-4	F74457-000	750 MCM	5/8	4.0	1.88	0.27	1.94	0.88	Black
1-1099898-5	F51850-000	1000 MCM	5/8	4.9	2.16	0.32	2.12	0.94	White
One Hole, Long Barrel									
1099899-1	D17470-000	6 STR.	1/4	1.9	0.45	0.08	0.56	0.34	Blue
1099899-2	A96574-000	4 STR.	1/4	1.9	0.50	0.09	0.56	0.38	Gray
1099899-3	E21083-00	3 STR.	5/16	2.3	0.57	0.09	0.70	0.38	White
1099899-4	C81203-000	2 STR.	5/16	2.3	0.60	0.11	0.75	0.38	Brown
1099899-5	A81708-000	1 STR.	5/16	2.4	0.68	0.10	0.75	0.27	Green
1099899-6	C23858-000	1/0 STR.	5/16	2.4	0.74	0.12	0.75	0.27	Pink
1099899-7	119812-000	1/0 STR.	1/2	2.7	0.75	0.11	1.08	0.53	Pink
1099899-8	E52078-000	2/0 STR.	3/8	2.7	0.82	0.12	0.88	0.44	Black
1099899-9	239140-000	3/0 STR.	1/2	2.9	0.91	0.13	1.08	0.53	Orange
1-1099899-0	E62182-000	4/0 STR.	1/2	3.0	1.00	0.14	1.08	0.53	Purple
1-1099899-1	E77270-000	250 MCM	1/2	3.2	1.09	0.16	1.12	0.56	Yellow
1-1099899-2	A92636-000	300 MCM	1/2	3.6	1.19	0.16	1.12	0.56	White
1-1099899-3	E72006-000	350 MCM	1/2	3.7	1.28	0.18	1.12	0.56	Red
1-1099899-4	D72346-000	400 MCM	5/8	4.2	1.38	0.19	1.50	0.75	Blue
1-1099899-5	F14494-000	500 MCM	5/8	4.4	1.52	0.23	1.50	0.75	Brown
1-1099899-6	A12604-000	500 MCM	1/2	4.2	1.54	0.23	1.30	0.65	Brown
1-1099899-7	F80787-000	600 MCM	5/8	5.2	1.69	0.27	1.75	0.88	Green
1-1099899-8	E32122-000	750 MCM	5/8	5.4	1.89	0.27	1.94	0.88	Black
1-1099899-9	D70411-000	1000 MCM	5/8	6.0	2.17	0.32	2.12	0.94	White
Two Hole NEMA, Long Barrel									
1099939-1	C22472-000	4 STR.	1/2	4.4	0.83	0.11	3.00	0.62	Gray
1099939-2	D82399-000	3 STR.	1/2	4.4	0.83	0.11	3.00	0.62	White
1099939-3	F21907-000	2 STR.	1/2	4.5	0.82	0.11	3.00	0.62	Brown
1099939-4	F46697-000	1 STR.	1/2	4.7	0.80	0.09	3.00	0.62	Green
1099939-5	C35564-000	1/0 STR.	1/2	4.7	0.75	0.12	3.00	0.62	Pink
1099939-6	A93970-000	2/0 STR.	1/2	4.8	0.82	0.12	3.00	0.62	Black
1099939-7	D26734-000	3/0 STR.	1/2	4.8	0.90	0.12	3.00	0.62	Orange
1099939-8	E26051-000	4/0 STR.	1/2	5.0	1.00	0.14	3.00	0.62	Purple
1099939-9	A67870-000	250 MCM	1/2	5.0	1.09	0.16	3.00	0.62	Yellow
1-1099939-0	E03152-000	300 MCM	1/2	5.4	1.18	0.16	3.00	0.62	White
1-1099939-1	E44738-000	350 MCM	1/2	5.4	1.27	0.18	3.00	0.62	Red
1-1099939-2	C81691-000	500 MCM	1/2	5.7	1.53	0.23	3.00	0.62	Brown
1-1099939-3	318806-000	600 MCM	1/2	6.2	1.71	0.27	3.00	0.62	Green
1-1099939-4	A05359-000	750 MCM	1/2	6.5	1.89	0.27	3.00	0.62	Black
1-1099939-5	A14397-000	1000 MCM	1/2	6.8	2.16	0.33	3.00	0.62	White



One Hole, Short Barrel



One Hole, Long Barrel



Two Hole NEMA, Long Barrel

Physical & Electrical Properties Material:

ETP copper alloy C11000

Plating: Electro tin plate

Heat treating: Soft tempered

Voltage Rating: For applications up to 35 kV consult shielded cable manufacturers stress relief instructions.



Agency approvals (when crimped with the approved die sets): Listed by Underwriters Laboratories, Inc. File No. E13288, Compression terminal connectors comply with the requirements of UL486A and CSA C.22.2 NO. 65-93.

te.com/energy

©2007, 2009 - 2012, 2014 TE Connectivity Ltd. family of companies. All Rights Reserved. 8-1773445-0 E223 10/2014

Utilux, TE Connectivity and TE connectivity (logo) are trademarks. Other logos, product and/or company names might be trademarks of their respective owners. While TE has made every reasonable effort to ensure the accuracy of the information in this brochure, TE does not guarantee that it is error-free, nor does TE make any other representation, warranty or guarantee that the information is accurate, correct, reliable or current. TE reserves the right to make any adjustments to the information contained herein at any time without notice. TE expressly disclaims all implied warranties regarding the information contained herein, including, but not limited to, any implied warranties of merchantability or fitness for a particular purpose. The dimensions in this catalog are for reference purposes only and are subject to change without notice. Specifications are subject to change without notice. Consult TE for the latest dimensions and design specifications.

FOR MORE INFORMATION: TE Technical Support Centers

USA:	+ 1 800 327 6996
France:	+ 33 380 583 200
UK:	+ 44 0870 870 7500
Germany:	+ 49 896 089 903
Spain:	+ 34 916 630 400
Benelux:	+ 32 16 351 731
Canada:	+ 1 (905) 475-6222
Mexico:	+ 52 (0) 55-1106-0800
Latin/S. America:	+ 54 (0) 11-4733-2200
Thailand	+ 86 (0) 2879-0240 # 601

ENERGY /// UTILUX COPPER COMPRESSION TERMINALS



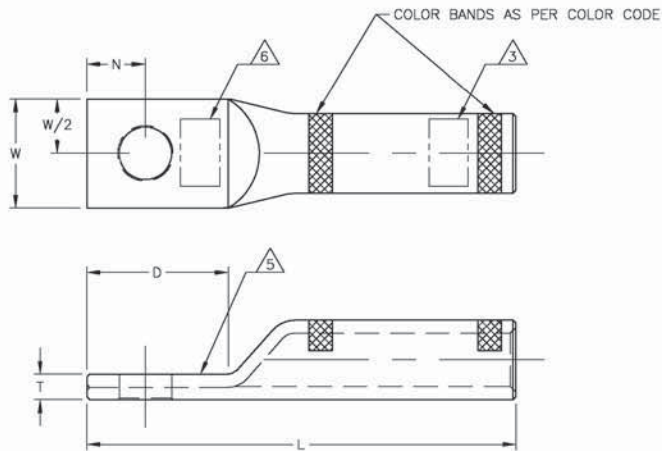
SKY COMMERCIAL CO., LTD.
 Contacts : Khun Sirijun (Nuy) Mobile : 086-325-7116
 Email : sirijun.boss@gmail.com , Email : sirijun.k@skycommercial.co.th



THIS DRAWING IS UNPUBLISHED. RELEASED FOR PUBLICATION
 BY TYCO ELECTRONICS CORPORATION. ALL RIGHTS RESERVED.

LOC		DIST		REVISIONS				
GA	1	P	LTR	DESCRIPTION	DATE	DWN	APD	
		B		REVISED PER ECO-05-008404	24 AUG 05	DR	BJ	

LUG 1 HOLE



- 1 MATERIAL:
ETP COPPER ALLOY C11000
PER ASTM SPEC B188
- 2. HEAT TREAT:
SOFT TEMPERED
- 3 LETTERING:
UTILUX [PART NO]
[CONDUCTOR] c1018
[DIE INDEX]
MADE IN INDIA
- 4 FINISH:
ELECTRO TIN PLATE
- 5 THIS PORTION TO BE CLOSED AIR TIGHT
- 6 OPTIONAL PLACE FOR MARKING

WIRE STRIP LENGTH	L REF	W REF	T REF	D	N	DIE INDEX (NO OF CRIMPS)	COLOUR CODE	BOLT SIZE	CONDUCTOR	PART NO
1-3/16	2.25	0.50	0.09	0.88	0.44	8 or 346(2)	gray	1/4	4 STR.	2-1099899-0
3-1/16	6.00	2.17	0.32	2.12	0.94	27 (4)	white	5/8	1000 MCM	1-1099899-9
2-15/16	5.40	1.89	0.27	1.94	0.88	24 & 473 (4)	black	5/8	750 MCM	1-1099899-8
2-3/4	5.20	1.69	0.27	1.75	0.86	22 or 472 (2)	green	5/8	600 MCM	1-1099899-7
2-5/16	4.20	1.54	0.23	1.30	0.65	20 or 299 (2)	brown	1/2	500 MCM	1-1099899-6
2-5/16	4.40	1.52	0.23	1.50	0.75	20 or 299 (2)	brown	5/8	500 MCM	1-1099899-5
2-3/16	4.20	1.38	0.19	1.50	0.75	19 or 470 (2)	blue	5/8	400 MCM	1-1099899-4
2-1/16	3.70	1.28	0.18	1.12	0.56	18 or 324 (2)	red	1/2	350 MCM	1-1099899-3
2-1/16	3.60	1.19	0.16	1.12	0.56	17 or 298 (2)	white	1/2	300 MCM	1-1099899-2
1-11/16	3.20	1.09	0.16	1.12	0.56	16 (2)	yellow	1/2	250 MCM	1-1099899-1
1-11/16	3.00	1.00	0.14	1.08	0.53	15 (2)	purple	1/2	4/0 STR.	1-1099899-0
1-9/16	2.90	0.91	0.13	1.08	0.53	14 (2)	orange	1/2	3/0 STR.	1099899-9
1-9/16	2.70	0.82	0.12	0.88	0.44	13 (2)	black	3/8	2/0 STR.	1099899-8
1-7/16	2.70	0.75	0.11	1.08	0.53	12 or 348 (2)	pink	1/2	1/0 STR.	1099899-7
1-7/16	2.40	0.74	0.12	0.75	0.38	12 or 348 (2)	pink	5/16	1/0 STR.	1099899-6
1-7/16	2.40	0.68	0.10	0.75	0.38	11 or 375 (2)	green	5/16	1 STR.	1099899-5
1-5/16	2.30	0.60	0.11	0.75	0.38	10 (2)	brown	5/16	2 STR.	1099899-4
1-1/4	2.30	0.57	0.09	0.70	0.34	9 (2)	white	5/16	3 STR.	1099899-3
1-3/16	1.90	0.50	0.09	0.56	0.27	8 or 346 (2)	gray	1/4	4 STR.	1099899-2
1-3/16	1.90	0.45	0.08	0.56	0.27	7 or 374 (2)	blue	1/4	6 STR.	1099899-1

THIS DRAWING IS A CONTROLLED DOCUMENT.

DIMENSIONS: INCHES	TOLERANCES UNLESS OTHERWISE SPECIFIED: 0 PLC ± 1 PLC ± 2 PLC ± 3 PLC ± 4 PLC ± ANGLES ±	DWN D. ROBITAILLE 24 SEP 03	24 SEP 03	 Tyco Electronics Corporation Markham, ON L3R 1E1
		CHK A. BUIZA 29 SEP 03	29 SEP 03	
		APVD B. JOHNSON 29 SEP 03	29 SEP 03	
MATERIAL	FINISH	PRODUCT SPEC	APPLICATION SPEC	NAME COMPRESSION TERMINAL, COPPER, ONE HOLE PAD, LONG BARREL, PLATED
		SIZE	CAGE CODE	DRAWING NO
		WEIGHT	A2 00779 © 1099899	
CUSTOMER DRAWING				RESTRICTED TO
SCALE				SHEET 1 OF 1
NTS				REV B

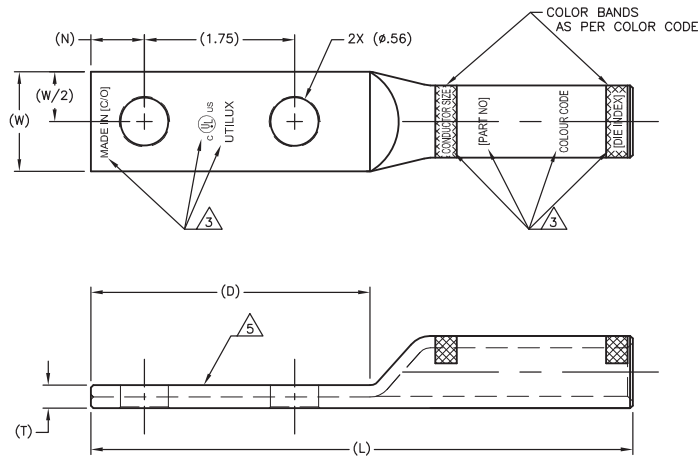
SKY COMMERCIAL CO.,LTD.

Contacts : Khul Sirjun (Nuy) Mobile : 086-325-7116

Email : sirjun.boss@gmail.com , Email : sirjun.k@skymcommercial.co.th

LOC		DIST		REVISIONS			
P	LTR	DESCRIPTION	DATE	DWN	APVD		
B		ECO-05-011548	21OCT2005	DM	BJ		
B1		LC20-0044-15 / ECO-15-004978	25MAR2015	DM	BJ		

LUG 2 HOLE



- 1 MATERIAL:
ETP COPPER ALLOY C11000
PER ASTM SPEC B188
- 2. HEAT TREAT:
SOFT TEMPERED
- 3 MARKING:
UTILUX
[PART NO]
[CONDUCTOR SIZE]
[DIE INDEX]
[COLOUR CODE]
MADE IN [C/O]
- (SEE TABLE FOR UL MARKING)
- 4 FINISH:
ELECTRO TIN PLATED
- 5 THIS PORTION TO BE CLOSED AIR TIGHT
- 6. ALL DIMENSIONS ARE FOR REFERENCE ONLY

NO	2-3/16	5.7	1.38	.19	3.00	.62	19 or 470 (2)	BLUE	1/2	400 MCM	1-1099939-6
YES	3-1/16	6.8	2.16	.33	3.00	.62	27 (4)	WHITE	1/2	1000 MCM	1-1099939-5
	2-15/16	6.5	1.89	.27	3.00	.62	24 or 473 (4)	BLACK	1/2	750 MCM	1-1099939-4
	2-3/4	6.2	1.71	.27	3.00	.62	22 or 472 (2)	GREEN	1/2	600 MCM	1-1099939-3
	2-5/16	5.7	1.53	.23	3.00	.62	20 or 299 (2)	BROWN	1/2	500 MCM	1-1099939-2
	2-1/16	5.4	1.27	.18	3.00	.62	18 or 324 (2)	RED	1/2	350 MCM	1-1099939-1
	2-1/16	5.4	1.18	.16	3.00	.62	17 or 298 (2)	WHITE	1/2	300 MCM	1-1099939-0
	1-11/16	5.0	1.09	.16	3.00	.62	16 (2)	YELLOW	1/2	250 MCM	1099939-9
	1-11/16	5.0	1.00	.14	3.00	.62	15 (2)	PURPLE	1/2	4/0 STR.	1099939-8
	1-9/16	4.8	.90	.12	3.00	.62	14 (2)	ORANGE	1/2	3/0 STR.	1099939-7
	1-9/16	4.8	.82	.12	3.00	.62	13 (2)	BLACK	1/2	2/0 STR.	1099939-6
	1-7/16	4.7	.75	.12	3.00	.62	12 or 348 (2)	PINK	1/2	1/0 STR.	1099939-5
	1-7/16	4.7	.80	.09	3.00	.62	11 or 375 (2)	GREEN	1/2	1 STR.	1099939-4
	1-5/16	4.5	.82	.11	3.00	.62	10 (2)	BROWN	1/2	2 STR.	1099939-3
	1-3/16	4.6	.83	.11	3.00	.62	9 (2)	WHITE	1/2	3 STR.	1099939-2
	1-3/16	4.4	.83	.11	3.00	.62	8 or 346 (2)	GRAY	1/2	4 STR.	1099939-1
UL MARKING	WIRE STRIP LENGTH	(L)	(W)	(T)	(D)	(N)	DIE INDEX (NO. OF CRIMPS)	COLOUR CODE	BOLT SIZE	CONDUCTOR	PART NO.

THIS DRAWING IS A CONTROLLED DOCUMENT.

DIMENSIONS: INCHES	TOLERANCES UNLESS OTHERWISE SPECIFIED:	DWN D ROBITALLE 06 DEC 02	TE Connectivity
		CHK A BULZA 29 SEP 03	
		APVD P JOHNSON 29 SEP 03	NAME
			COMPRESSION TERMINAL, COPPER, TWO HOLE NEMA PAD, LONG BARREL, PLATED
			SIZE CAGE CODE DRAWING NO
MATERIAL	FINISH	WEIGHT	A2 00779 1099939
SEE NOTE 1	SEE NOTE 4	CUSTOMER DRAWING	RESTRICTED TO
		SCALE NTS	SHEET 1 OF 1 REV B1